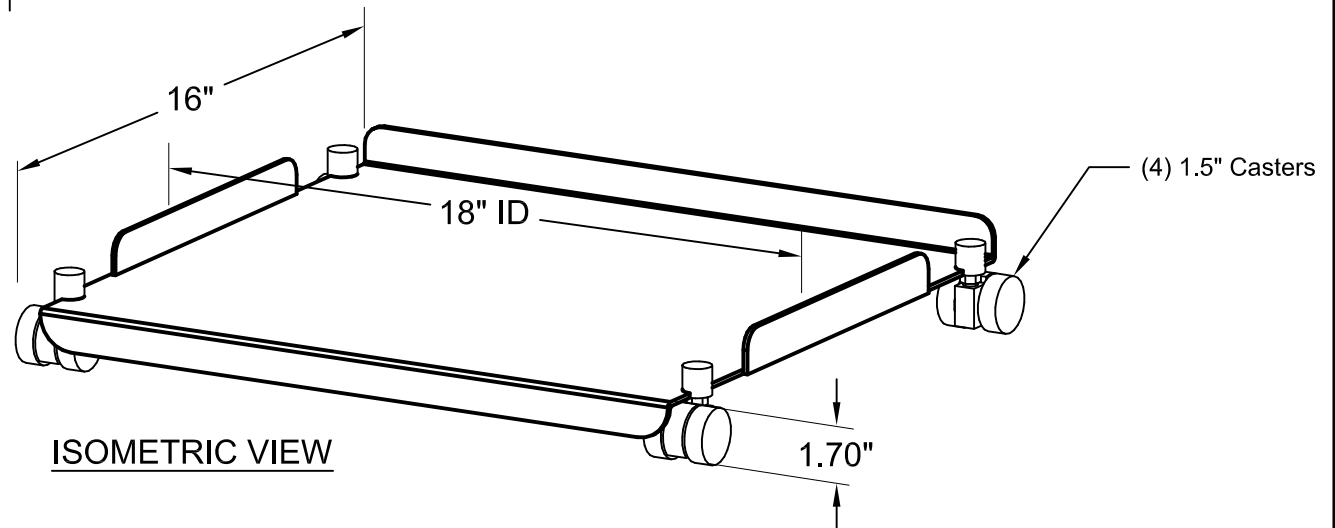


TOP VIEW



ISOMETRIC VIEW

NOTES :

MATERIAL :
AS NOTED ABOVE

TOLERANCES UNLESS OTHERWISE SPECIFIED
FRACTIONAL ±1/64
2 PLC. DEC. ±.01
3PLC. DEC. ±.001
ANGULAR ±.5°
FINISH $\sqrt{32}$

DRAWN BY : BD

DATE: 06/18/10

A P P R O V E D

DESCRIPTION :

METAL ROLLING SHELF

USED ON :

PATH : ACCESSORIES\ROLLING SHELF\

ENG :

MFG :

QA :

SCALE : N.T.S.

SHEET : 1 OF 1

PDF NAME:

EXSHR METAL 18x16-01

FOLDER :

REV: SIZE
A